

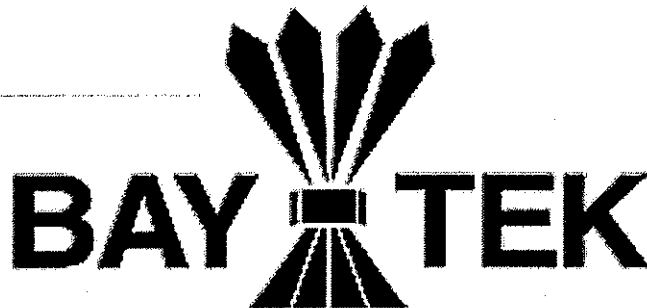
Deep Freeze

Operating Instructions



Version 1.05

Brought to you by,



BAY-TEK INC.
1077 East Glenbrook Drive
Pulaski, WI 54162

Phone: 920-822-3951 Fax: 920-822-8936

E-Mail: service@bay-tek.com
www.bay-tek.com

TABLE OF CONTENTS

Installation Instructions	3
Special Features	3-4
Object of Game	4
Changing Ticket Slot Values	4
Programming	5
Clearing the Tickets Owed	5
Dipswitch Settings	6
Ticket Dispenser	6
Preventive Maintenance	6
Troubleshooting	7
Parts and Price List	8
Mainboard Cable Pin outs	9-11
Warranty Information	12
Ticket Dispenser Information	Insert

© 2000 Bay-Tek, Inc. All rights reserved.

Proudly printed in the United States of America. Reproduction in any manner without the written permission of Bay-Tek Games is strictly forbidden.

INSTALLATION INSTRUCTIONS

- Inspect all cargo for damage to the outside of the carton before removing. If there is any sign of damage, indicate on the Bill of Lading prior to the driver departing. If damage is found after the driver leaves, contact BayTek Inc. immediately.
- Remove the game from the crate and/or pallet and strapping.
- Remove the keys taped to the top of the glass.
- Unlock the back door and unroll the power cord and feed it through the hole near the bottom of the game. Attach the extension cord if necessary.
- Place the game in the desired location.
- Use glass cleaner to clean the glass and acrylic inside and outside of the game. If you clean the playfield, you must apply a good quality automotive wax.
- The game is set to the standard factory settings. Variations and user changeable features are listed in this manual.
- Plug the game in and turn the power strip on.

Check the game to make sure everything is working. If something is not working or if anything goes wrong during the life of the game, contact the service department at: service@bay-tek.com, or (920)-822-3951.

SPECIAL FEATURES

- **Complete Operator Programmability**
Ticket patterns, bonus slot values, attract sounds and playfield drop settings are all features controlled by the operator. These features are changeable using the switches on the main board.
- **Easily Accessible Main Board**
No more wrestling games away from the wall to get to the main board. Deep Freeze is equipped with the main board mounted just inside the front door for easy access and less wasted time.
- **Stereo Volume Controls**
With the debut of the Deep Freeze game, BayTek also uses its new Stereo Sound. The potentiometer(s) next to the main board controls both the right and the left speakers. This separation of sound provides a higher quality audio experience.

SPECIAL FEATURES (cont.)

- **Uniquely Keyed Cash Box Lock**

The lock for the cash box is keyed differently than the rest of the keys for the game. This allows operators to hand out keys to technicians for service without compromising the security of the coins.

- **Double Locks on Control Panel**

This feature adds to the overall security of the coin mech by making it twice as hard to compromise.

OBJECT OF GAME

To win tickets, players aim their coins or tokens with the coin mech. at one of the targets or bonus icicles. Landing a coin in one of the three bonus icicles, located at the far end of the playfield, will trigger the playfield to drop down, revealing more chances to win super bonus tickets. Any coins remaining on the playfield will score if they land in a scoring area. The complete playfield cycle is 12 seconds.

The ticket amount display on *Deep Freeze* adds tickets as they are won and subtracts them as they are dispensed. Should tickets run out, the display will show the tickets owed, and add more if won. When the ticket supply is refilled, the dispenser will automatically continue paying tickets until the tickets owed reaches zero.

If you wish to clear the playfield of coins, turn the power off and back on again. Repeat this step if necessary.

CHANGING TICKET SLOT VALUES

You will need the "Deep Freeze Scoring Pack" which is available from BayTek Inc. to change the numbers on the slots. All of the payout tables and dipswitch settings needed to change the values are located on page 6.

Replace the bonus numbers and regular scoring numbers with one of the payouts listed on page 6. Set the dipswitches to reflect the same values. After changing payouts, monitor the game closely to insure proper results.

PROGRAMMING

Deep Freeze can be reset using the one of the three push buttons located on the ticket tray. (See diagram 1.)

CLEARING THE TICKETS OWED

The ticket clear button, when pushed, will trigger the table to drop, the table to "thump" to clear the table of any loose coins, and a payout percentage will show on the "Tickets Owed" display board for twelve seconds (the time it takes for the table drop cycle.) When the table goes back to the home position, the "Tickets Owed" display board will clear and go to zero.

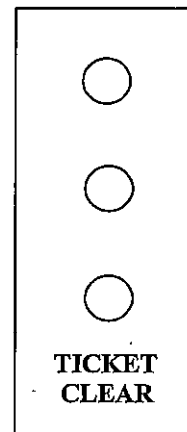
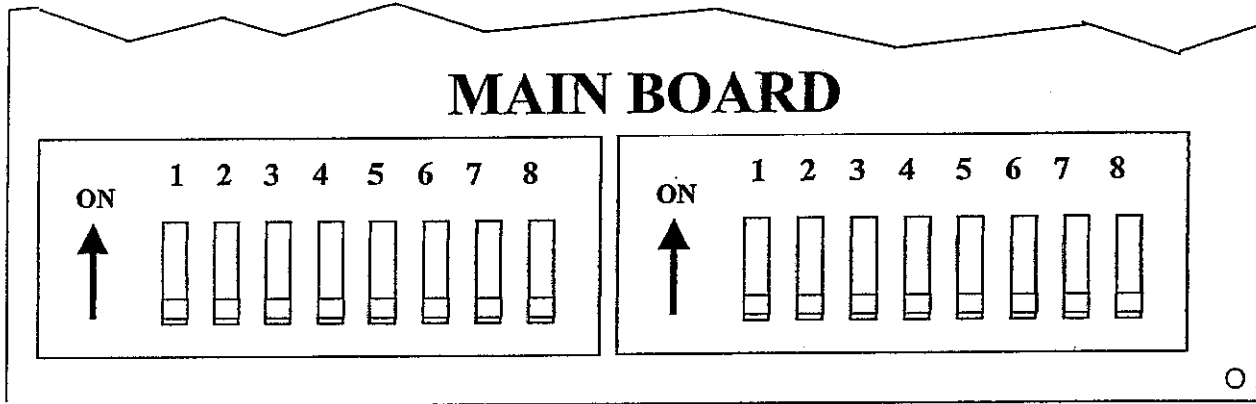


DIAGRAM 1

DIPSWITCH SETTINGS

Deep Freeze has two banks of dipswitches labeled S1 and S2 that are used to program the game. Each bank of switches has 8 positions (Pos. #1- #8). The switches are located on Deep Freezes main controller board.

X = on or closed position O = off or open position • = default setting



S1

S1	Pos. #1	Pos. #2	Pos. #3	Ticket Patterns
	O	O	O	025,100,003,010,015,100,002,010,015,025,100,003
	O	O	X	015,050,005,010,015,050,003,010,015,015,050,005
A5DC 8028	O	X	O	005,010,003,015,020,025,002,015,020,005,010,003
A5DC 8025	O	X	X	010,050,003,005,010,025,002,005,010,010,050,003
A5DC 8024	X	O	O	025,100,005,010,015,050,003,010,015,025,100,005
A5DC 8026	X	O	X	005,020,001,002,003,010,001,002,003,005,020,001
A5DC 8027	X	X	O	010,040,002,004,006,020,002,004,006,010,040,002
	X	X	X	000,000,000,000,000,000,000,000,000,000,000,000

S1	Pos. #4	Pos. #5	Pos. #6	Center Bonus Slot Value
	O	O	O	25
	O	O	X	50
	O	X	O	75
	O	X	X	100
	X	O	O	150
	X	O	X	250
•	X	X	O	500
	X	X	X	1000

S1	Pos. #7	Attract Mode
	O	Off
•	X	Play Attract Sounds Every 3 Minutes

S1	Pos. #8	Drop Playfield Settings
	O	Drop Playfield When Middle Icicle Scores
•	X	Drop Playfield When Left, Middle or Right Icicles Score

S2	Pos. #1	Pos. #2	Automatic table drop
	O	O	Drop after 10 games
	O	O	Drop after 25 games
•	O	X	Drop after 50 games
	O	X	Drop after 100 games

S2	Pos. #3	Pos. #4	Pos. #5	Mercy tickets
•	O	O	O	0
	O	O	X	1
	O	X	O	2
	O	X	X	3
	X	O	O	4
	X	O	X	5
	X	X	O	6
	X	X	X	7

S2	Pos. #6 - #8	Not Used At This Time
•	O	All Switches Should Be In the Off Position

TICKET DISPENSER

Deep Freeze is equipped with a Deltronic Labs DL-1275 ticket dispenser. Deep Freeze's main board turns on the dispenser, which continues to dispense until the correct number of signals are received from the optical detector, which then causes the main board to shut off power to the ticket motor.

Should the dispenser run out of tickets, the ticket motor will shut down immediately. Running out of tickets will not inhibit further operation of the game. The "Ticket Amount" display will continue to accumulate tickets until the ticket tray has been reloaded. When the ticket supply is replenished, dispensing will continue until the "Ticket Amount" display returns to zero. The "Ticket Amount" display will show the exact amount (plus one) of tickets owed to the customer. The plus one is the last ticket that was dispensed to the customer. The game board did not read that ticket since there wasn't a notch to detect.

PREVENTIVE MAINTENANCE

Monthly maintenance procedures will help promote error free operation of your game. The paper used to manufacture tickets puts out a good deal of paper dust, which can affect the ticket dispenser operation. The dispenser should be blown free of ticket dust once a month. To enhance the operation and life of the playfield motor and the coin mech pivots, add a few drops of light duty oil (**do not use WD-40**) to the playfield motor and the pivot points once a month. Waxing the playfield and the ramps with only a good quality automotive wax will ensure proper operation and longevity of the playfield area. Do not wax the icicles.

Do not use acetone or any other harsh chemical on any of the graphics or acrylic. A damp cloth or light duty cleaner, like Windex or Pledge, is all you need.

TROUBLESHOOTING

Following is a list of malfunctions that may occur with your game. If you should experience a malfunction, follow the solutions in the order they are listed. If you cannot solve the problem, replace the main board with a main board from a working game if available. This will enable you to isolate the problem to the main board. If you have a malfunctioning main board, please have the serial number ready and contact the service department at Bay-Tek Inc. for prompt shipment of an advanced replacement main board. **REMEMBER TO TURN THE GAME OFF BEFORE SERVICING.**

Should your game have a malfunction not listed here, call BayTek Inc. at (920)-822-3951 for further assistance.

Game Has No Function

- Check the ON/OFF switch on the power strip inside the game.
- Insure proper connection to power outlet.
- Check for voltage at the outlet.
- Check for voltage at the power strip.

No Audio

- Turn the volume knobs back and forth a few times.
- Check the connection of the audio cable at the main board.
- Check connections at the speaker terminals.
- Replace the main board with the main board from a working Deep Freeze to isolate the problem to the main board. If one is not available, contact the service department at Bay-Tek Inc.

Tickets Do Not Dispense

- Check connections between the ticket dispenser and the main cable harness.
- Check the connection of the main cable at the main board.
- Replace the main board with the main board from a working Deep Freeze to isolate the problem to the main board. If one is not available, contact the service department at Bay-Tek Inc.

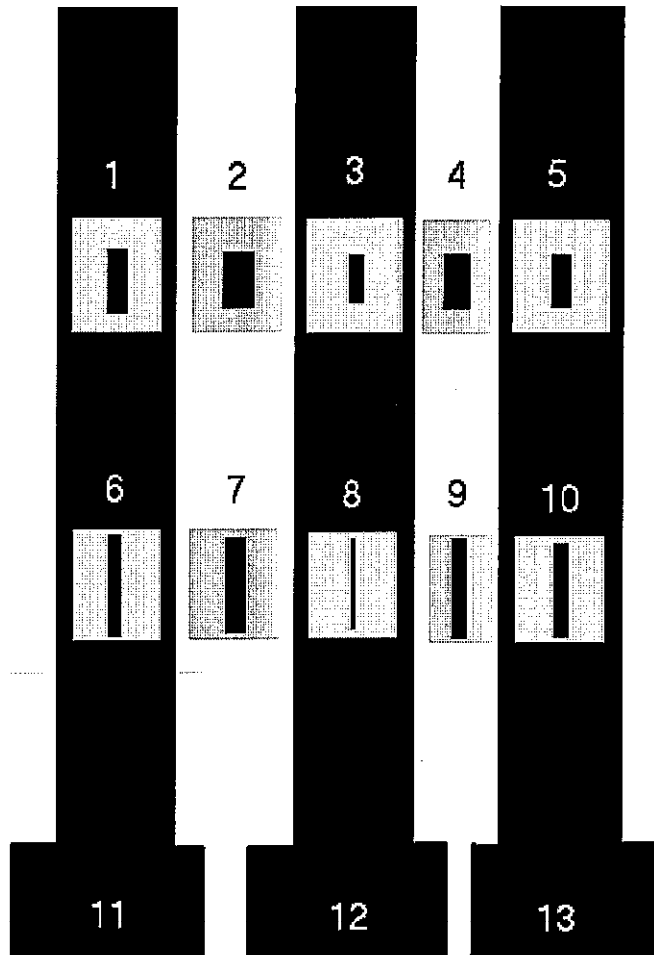
Game Dispenses Wrong Amount of Tickets

- Clean opto-electronic beam breaker sensor located on the ticket dispenser circuit board. To clean, simply blow on sensor to get most of the debris out and finish with Isopropyl Alcohol and a cotton swab.
- Check for the correct dipswitch settings on the main board.
- Replace the ticket dispenser with a ticket dispenser from a working game to isolate the problem to the ticket dispenser.
- Replace the main board with the main board from a working Deep Freeze to isolate the problem to the main board. If one is not available, contact the service department at Bay-Tek Inc.

TROUBLESHOOTING (cont.)

Displays An Error Code

•If your Deep Freeze display shows the letter "E" followed by a number, you have a coin sensor blocked or malfunctioning. The number indicates which sensor is in question. The following chart illustrates the sensor numbering system. Clean the sensor and check it for proper operation. If the sensor is failing, call your BayTek service representative for a replacement.

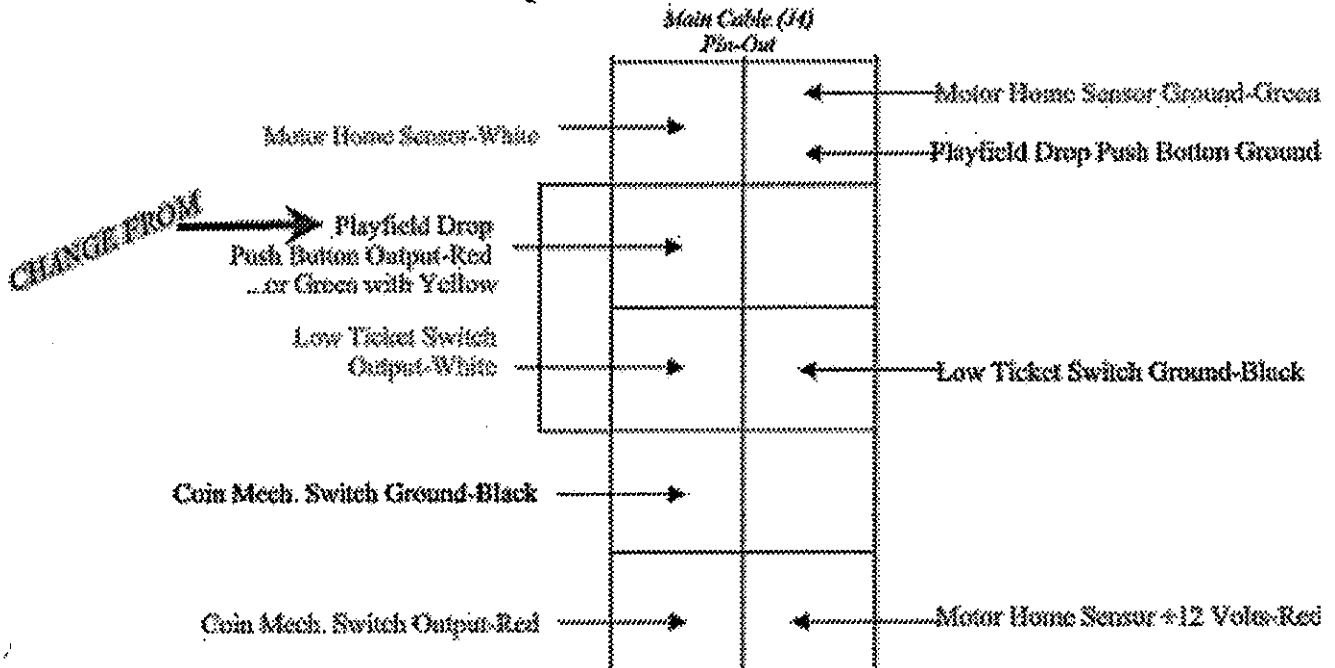


DEEP FREEZE PARTS LIST

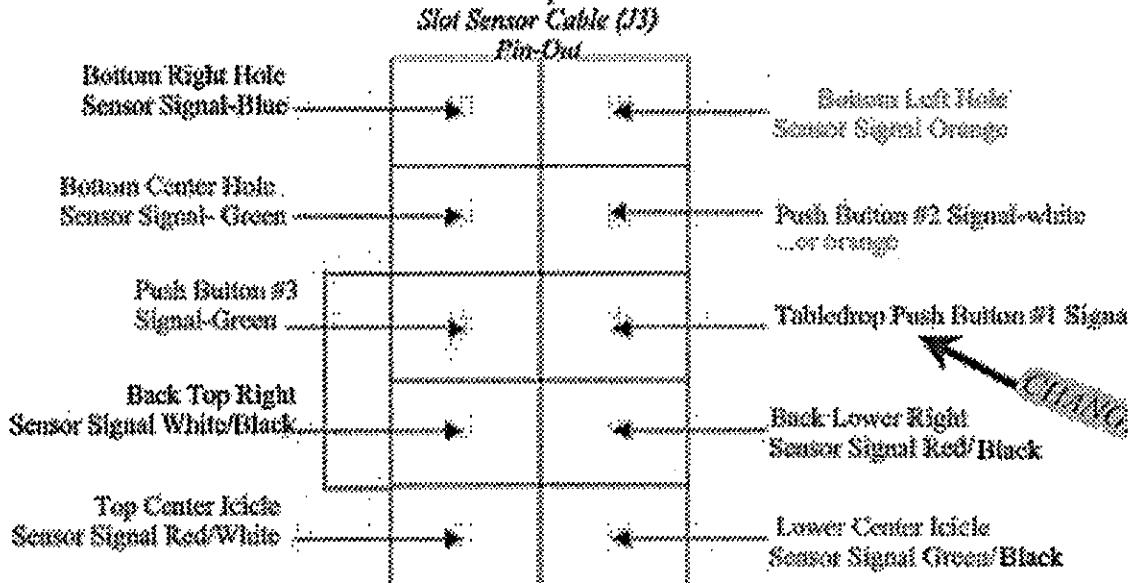
If your game is DF version 1.00-1.03, then a small modification is required to make the playfield dump work properly.

1. Locate the main board in the bottom front of the cabinet.
2. Using the chart below, move the wire indicated from the J4 connector to the J3 connector.
3. Now the dump button will dump the playfield and clear the tickets owed display.

Deep Freeze Old Version 1.03 or Under



New Version Deep Freeze 1.05



<u>Description</u>	<u>Part Number</u>	<u>Price</u>
Power Supply	A5PS1001	\$ 90.00
Extension Cord 6'	A5CORD1	\$ 11.50
Ticket Dispenser	A5TD1	\$ 210.00
Speaker	A5SP1050	\$ 15.00
Coin Mech. Assembly	AACS8020	\$ 95.00
Low Ticket Switch	AASW200	\$ 10.00
Metal and Brackets		
Playfield Motor Cam	A5CA8020	\$ 15.00
Playfield Motor Mounting Bracket	A5MA8021	\$ 15.00
Control Panel (coin mech cover)	A5CP8020	\$ 50.00
PC Boards and Electronics		
Deep Freeze Mainboard	AAMB5A	\$ 600.00
Deep Freeze Sound Chip	AAEP-DF	\$ 35.00
Deep Freeze Software Chip	AAMC-DF	\$ 55.00
Short Sensor Board	AABD1200	\$ 25.00
Tall Sensor Board	AABD1201	\$ 25.00
Ticket Display Board	AABD2603	\$ 150.00
Square Sensor Board	AABD1203	\$ 25.00
Plastics		
Top Formed Plastic w/ Icicles	A5VF8020	\$ 195.00
Front Panel, Bottom Door	A5FP8021	\$ 75.00
Long Ice Ramp Support	A5FP8029	\$ 10.00
Short Ice Ramp Support	A5FP8027	\$ 10.00
Long Ice Ramp (red)	A5FP8028	\$ 15.00
Long Ice Ramp (yellow)	A5FP8030	\$ 15.00
Short Ice Ramp	A5FP8026	\$ 15.00
Graphics		
Front Door, Left/Right Graphics	A5DC8020	\$ 50.00
Decal, Top Panel, Right	A5DC8021	\$ 20.00
Decal, Top Panel, Left	A5DC8022	\$ 20.00
Playfield Decals, 24 Labels	A5DC8024	\$ 30.00
Motors		
Playfield incline motor Assy.	AAMO8020	\$ 150.00
Playfield incline motor only	A5MO8020	\$ 95.00

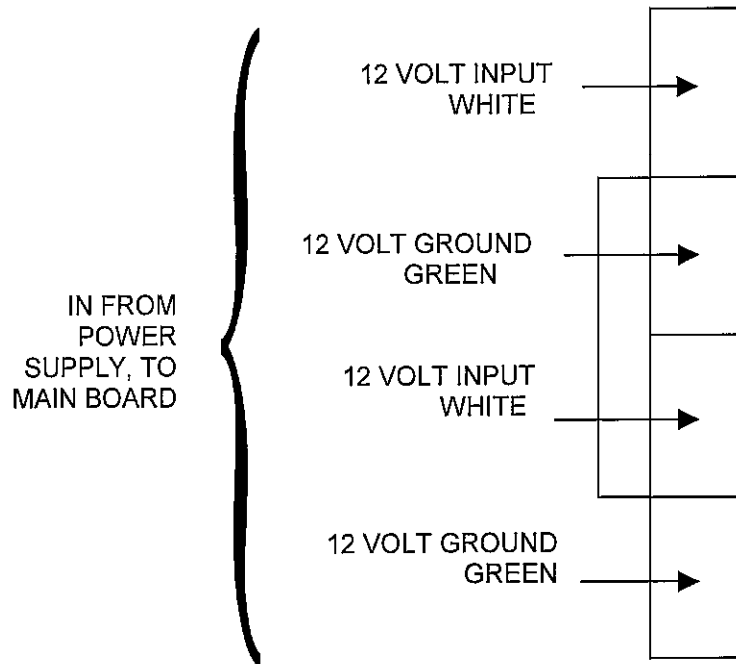
Note: All part prices subject to change without notice.

MAINBOARD PIN-OUTS

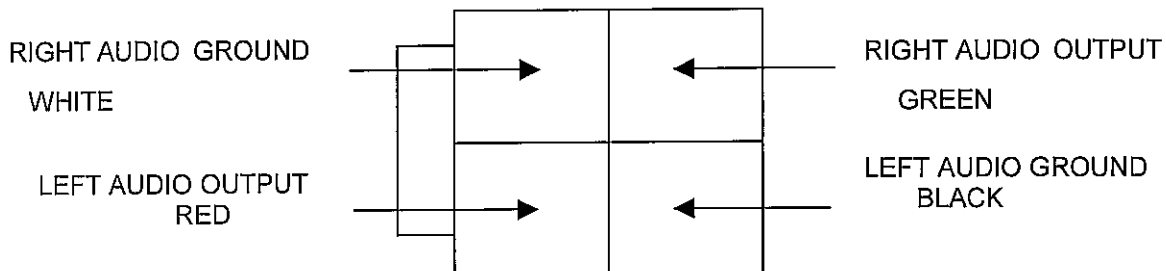
**12 VOLT JUMPER CABLE (J1)
PIN - OUT**

MAINBOARD PIN-OUTS

12 VOLT JUMPER CABLE (J1) PIN - OUT



VOLUME CABLE (J2) PIN - OUT



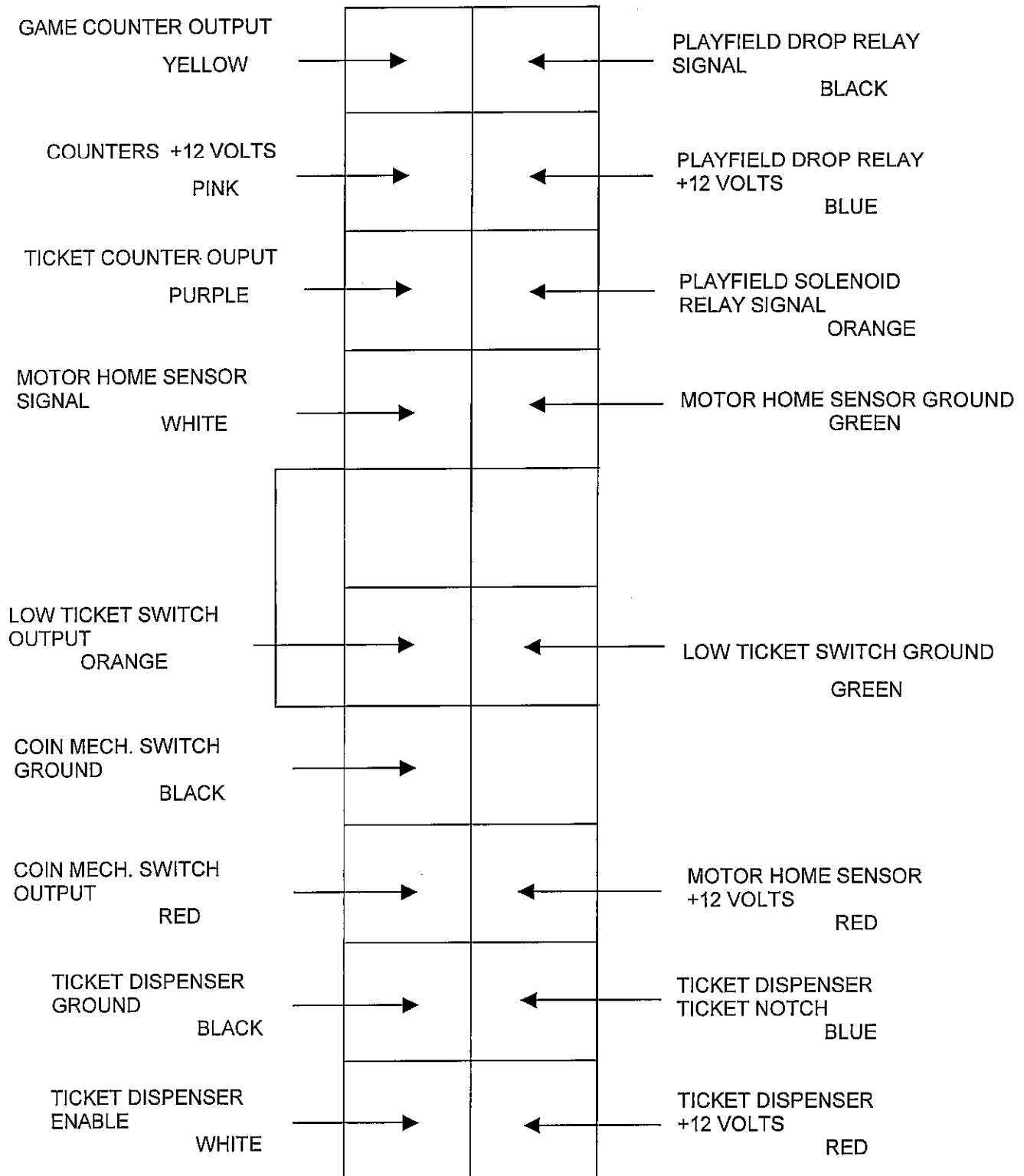
MAINBOARD PIN-OUTS (cont.)

SLOT SENSOR CABLE (J3)
PIN - OUT

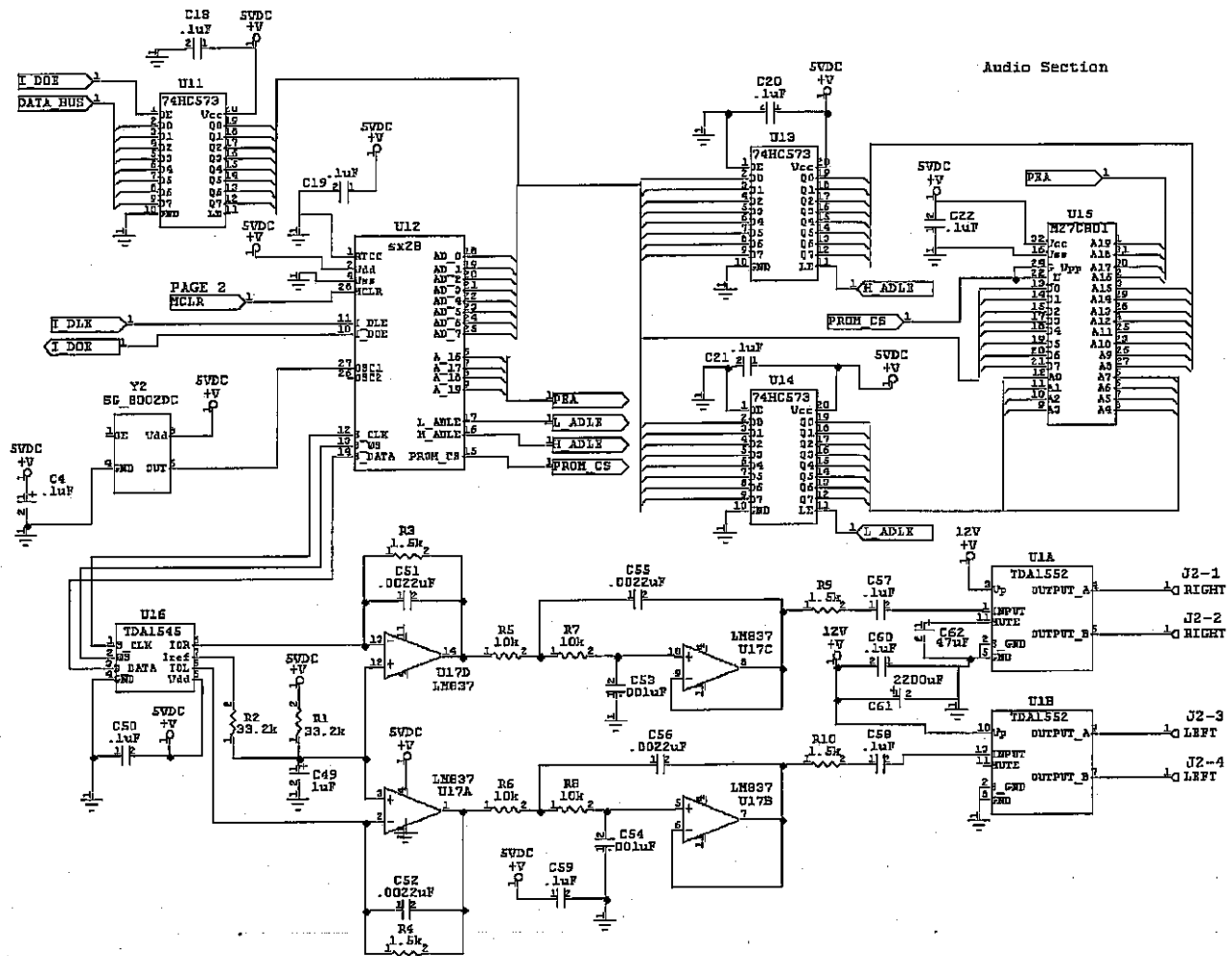


MAINBOARD PIN-OUTS (cont.)

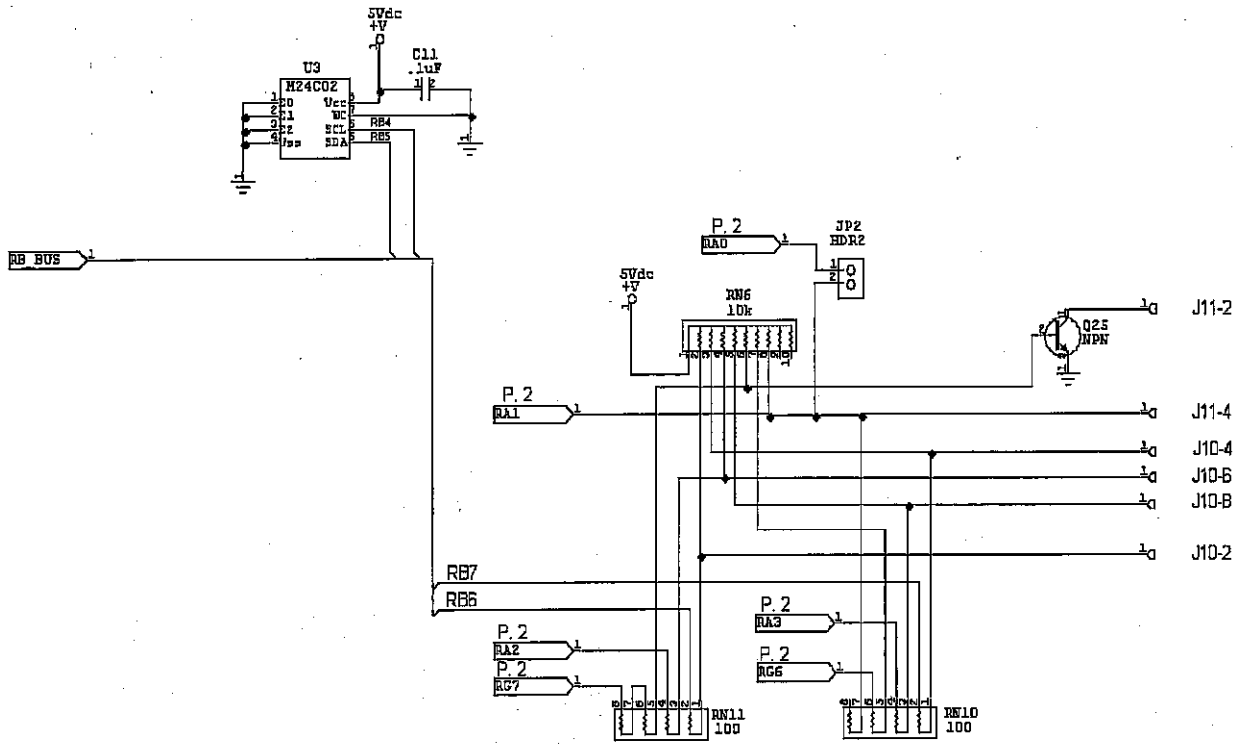
MAIN CABLE (J4)



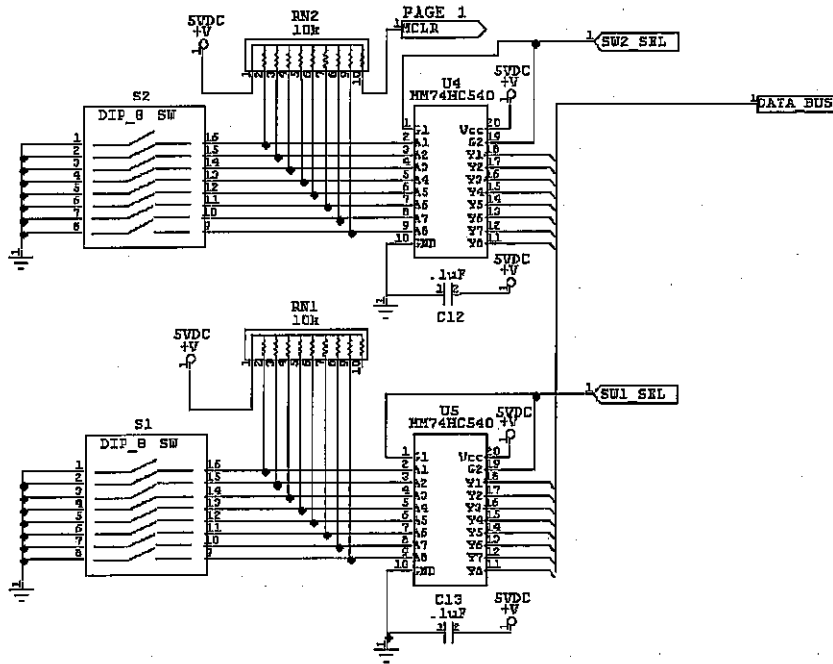
Gen 5 Main Board Schematics



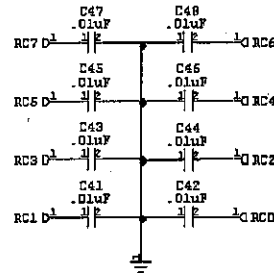
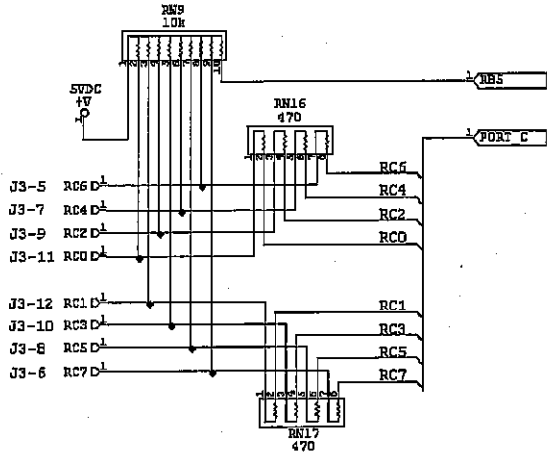
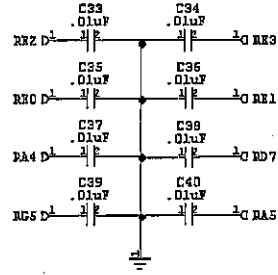
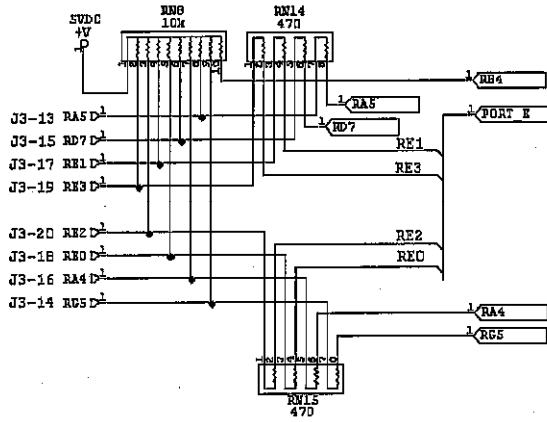
Communications – Serial EEprom



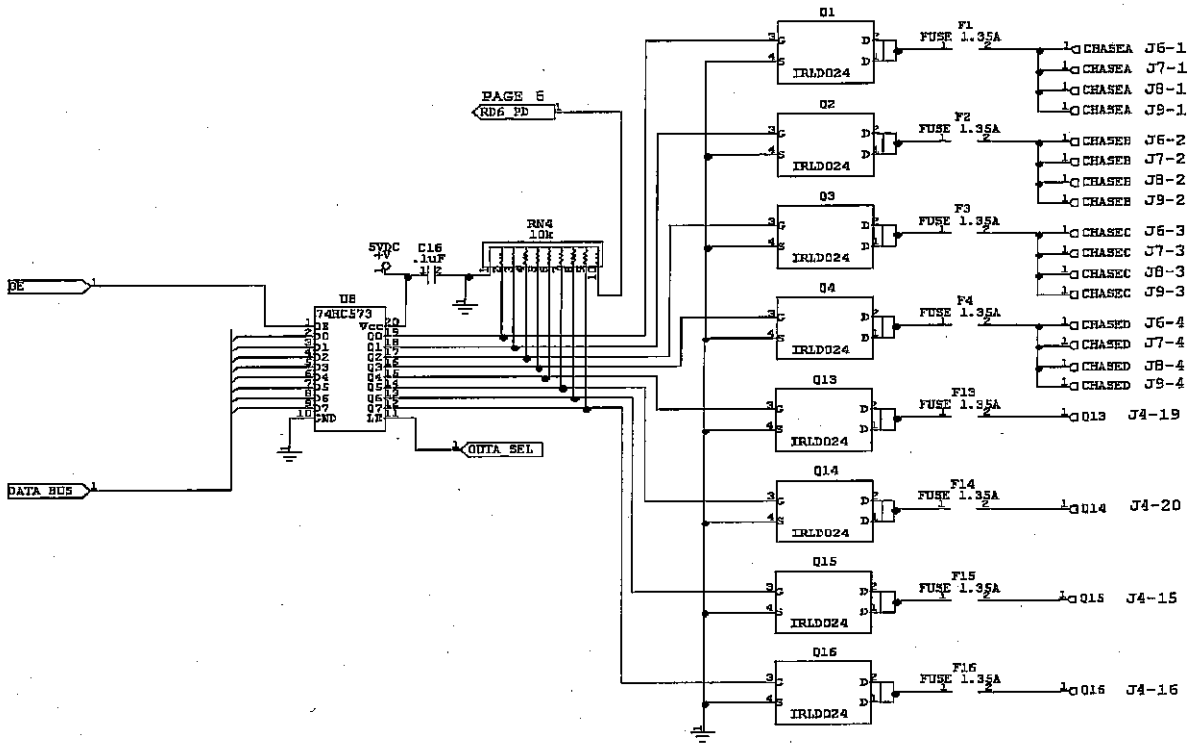
Input Section A – Configuration Switches



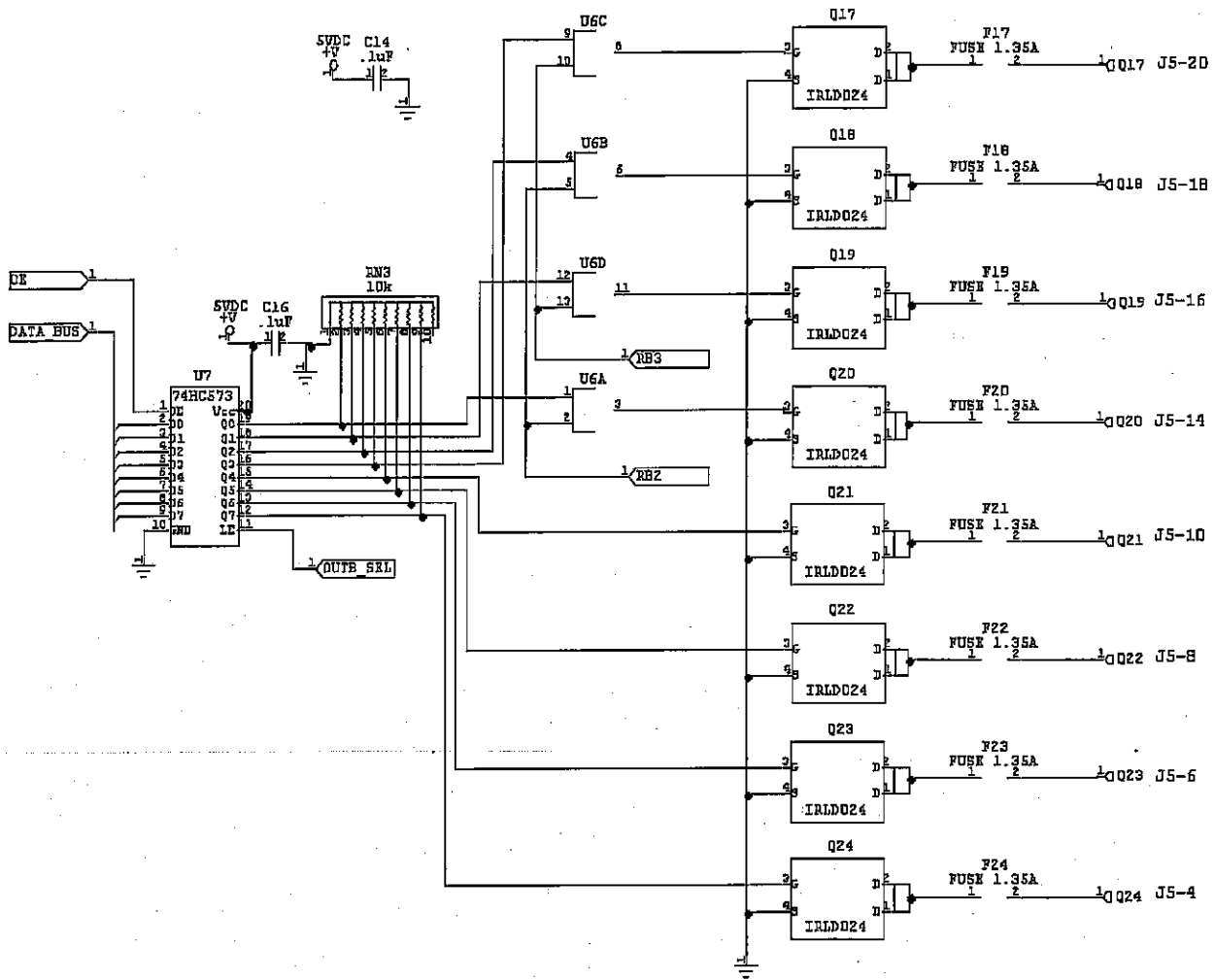
Input Section B – Inputs RE, RC



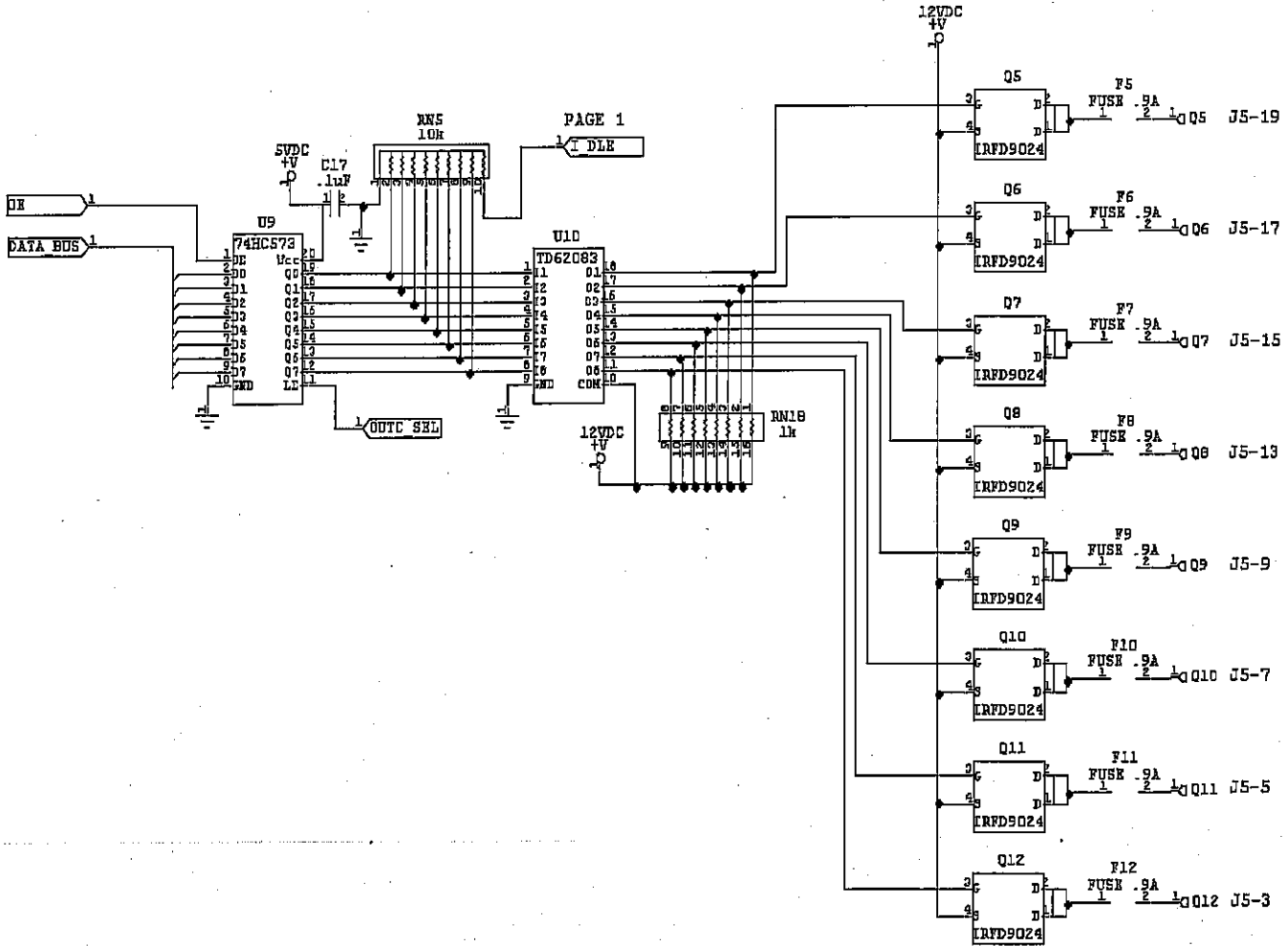
Output Section A – Chase Lights, Q13 - Q16



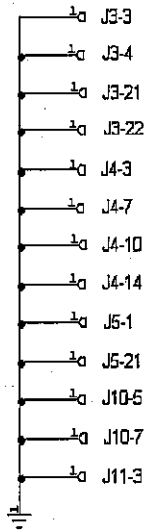
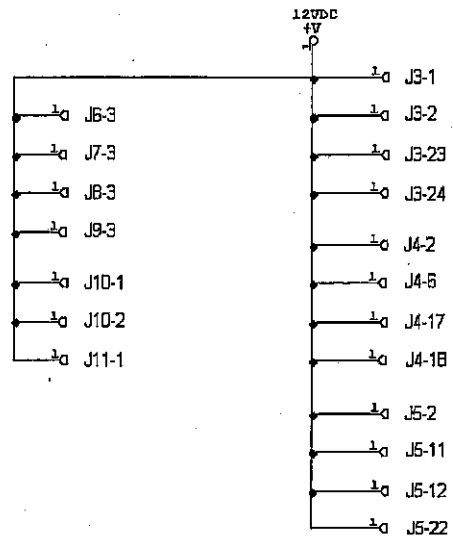
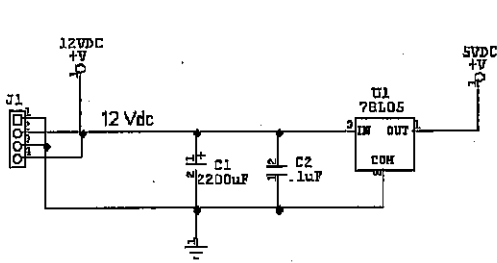
Output Section B – Q17 – Q24



Output Section C – Q5 – Q12



Power Section



Processor Section – Input RD

