

ATLANTIS

USA 2 & 4 Player
Coin Pusher

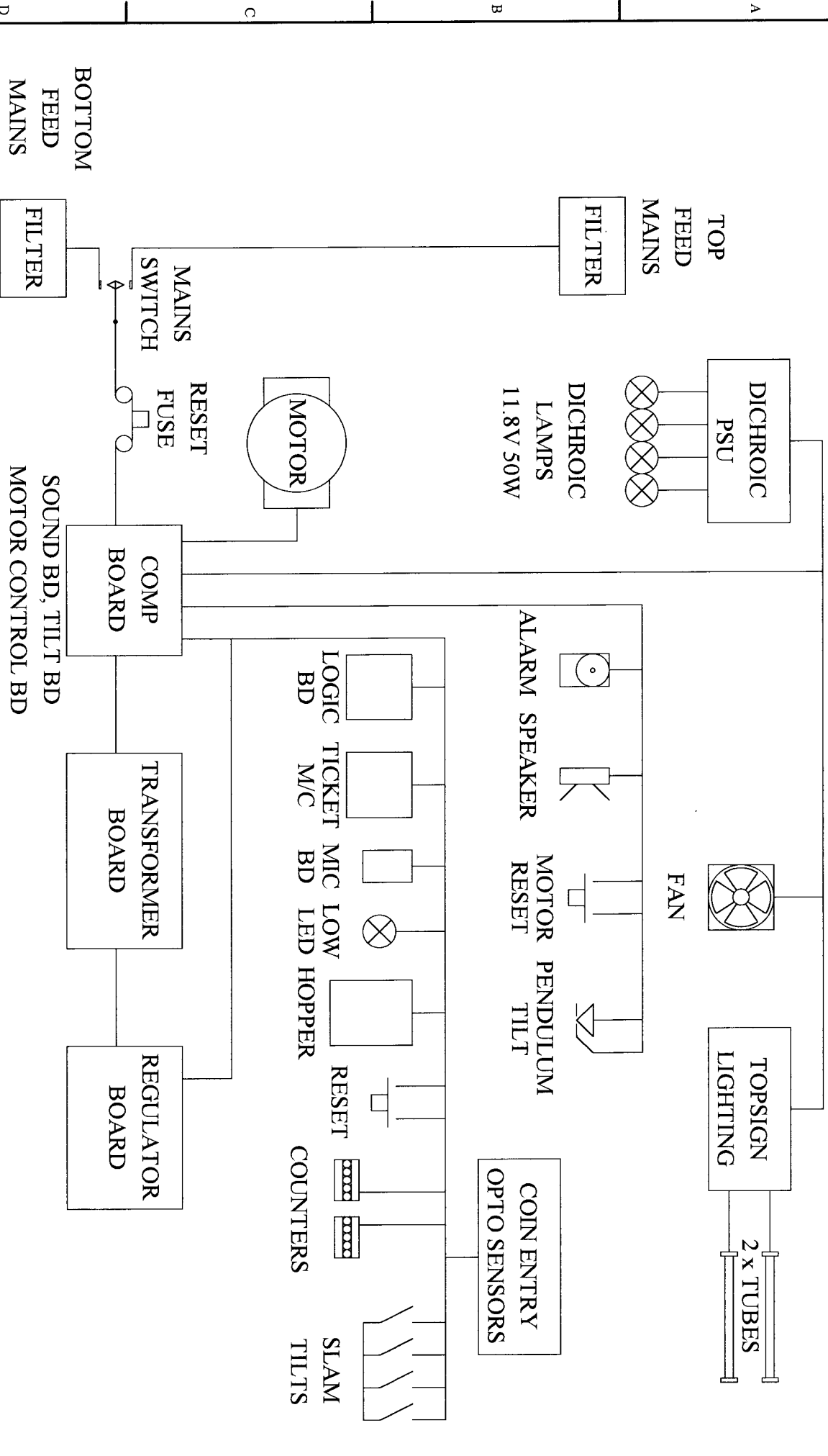
Wiring Diagram
Schematics



+44 1843 866464

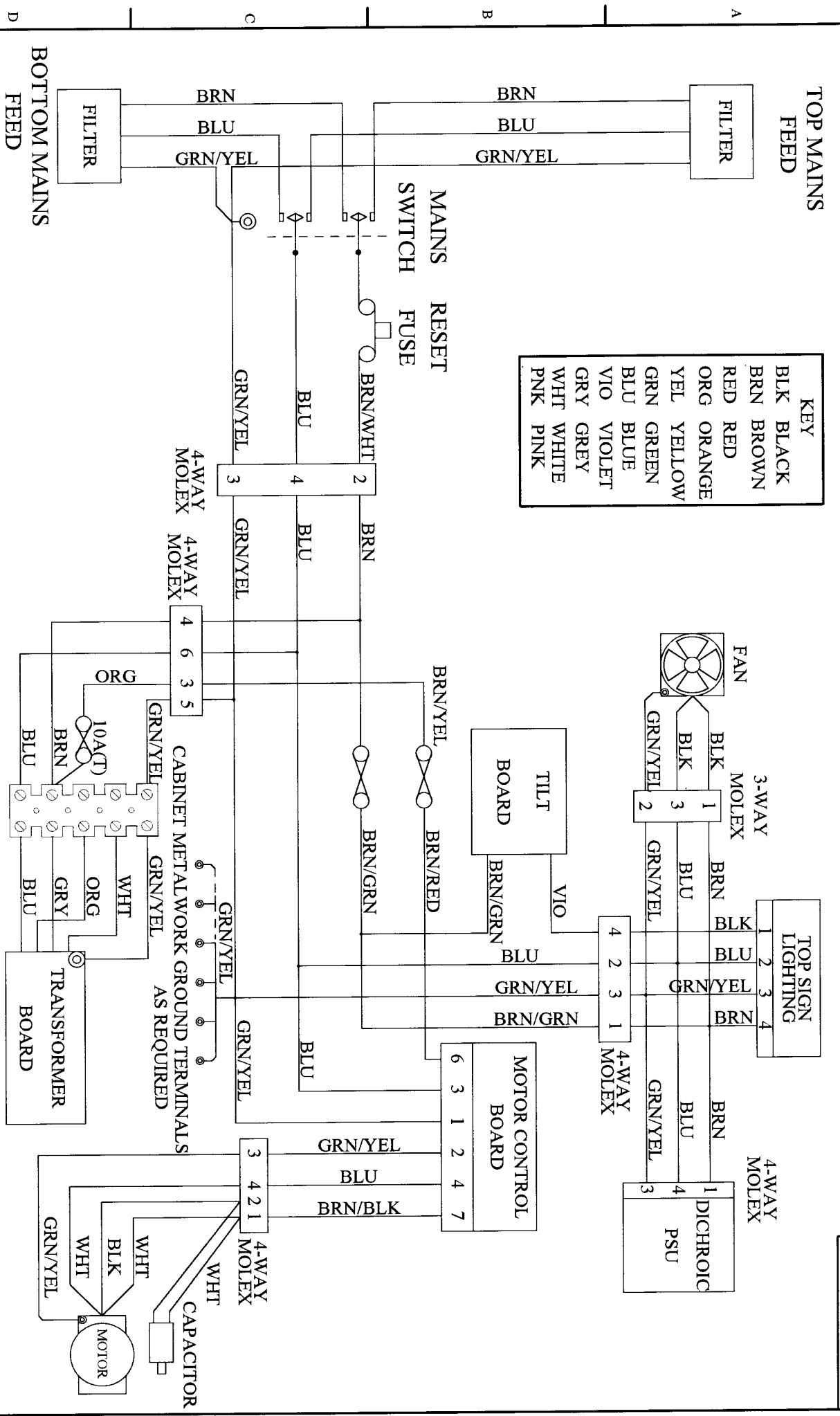


technical@harry-levy-amusements.com



Issue	Description	Date	App'd	To: 1501	Title	Drawn	Checked	Date	Do NOT Scale
					Wiring System Overview 2-Plyr USA	NGI		11 04 01	
					HARRY LEVY AMUSEMENT CONTRACTOR Ltd Broadstairs Kent.				
					Dimensions in MM. General Tol +/-1, metalwork & hole positions +/-0.5 turned parts +/-0.1, bending +/-1 (Plastic +/-2.5 degrees)				
					Drawing No.	HL AT 13911 - D			

KEY	
BLK	BLACK
BRN	BROWN
RED	RED
ORG	ORANGE
YEL	YELLOW
GRN	GREEN
BLU	BLUE
VIO	VIOLET
GRY	GREY
WHT	WHITE
PNK	PINK



Issue	Description	Date	App'd	To: 1501	Title	Drawn	Checked	Date	Do NOT Scale
					Mains Wiring 2, 3, 4, 6 Plyr USA	NGI		12 04 01	

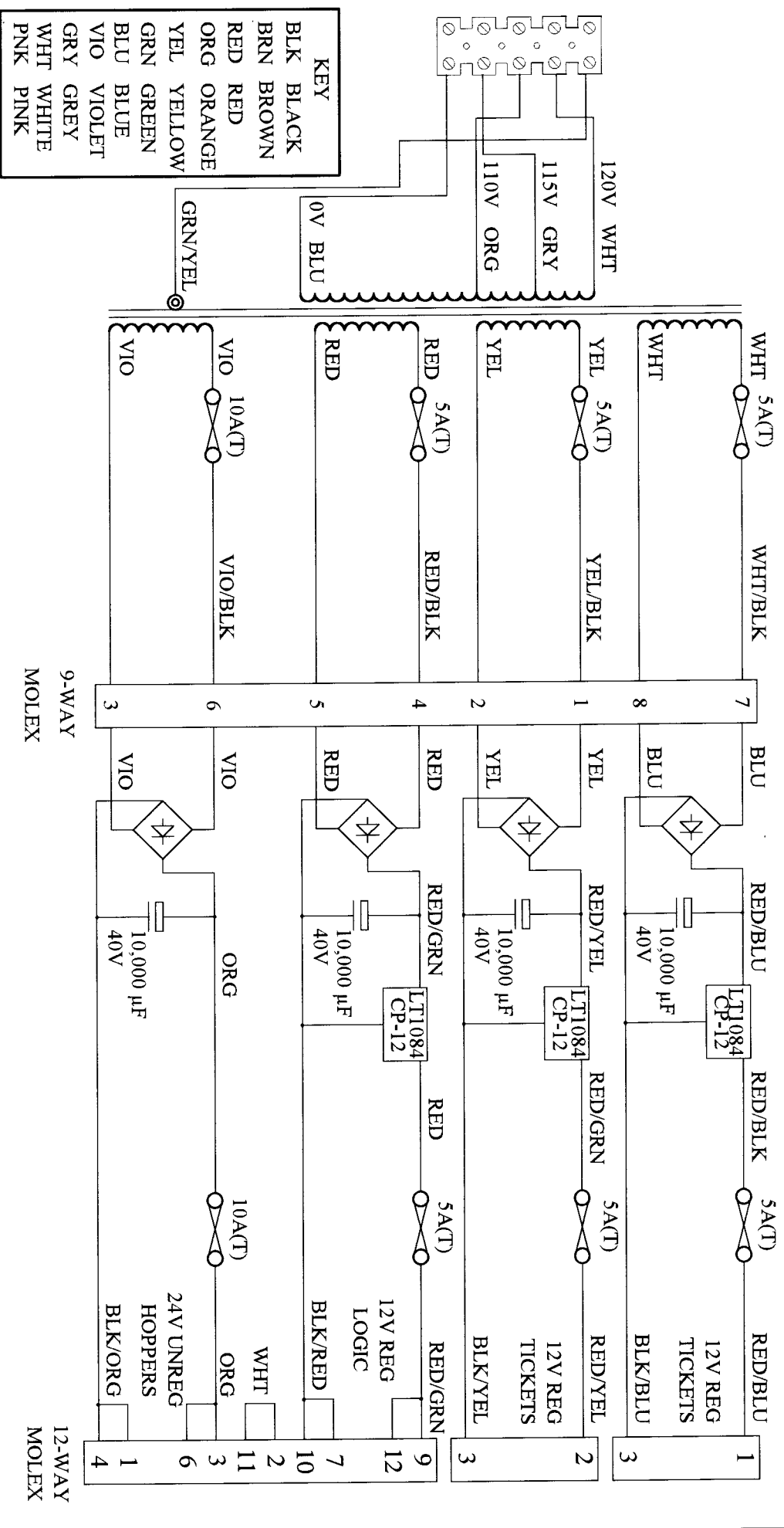
HARRY LEVY AMUSEMENT CONTRACTOR Ltd Broadstairs Kent.
 Dimensions in MM. General Tol. +/-1, metalwork & hole positions +/-0.5
 turned parts +/-0.1, bending +/-1 (Plastic +/-2.5 degrees)

Drawing No. HL AT 13912 - D

TRANSFORMER BOARD

REGULATOR BOARD

2x
3-WAY
MOLEX



KEY

BLK	BLACK
BRN	BROWN
RED	RED
ORG	ORANGE
YEL	YELLOW
GRN	GREEN
BLU	BLUE
VIO	VIOLET
GRY	GREY
WHT	WHITE
PNK	PINK

Issue	Description	Date	Appd	To: 1501	Title	Transformer & Regulator Wiring	Drawn	Checked	Date	Do NOT Scale
					2, 3, 4, 6	Player USA	NGI		17 04 01	

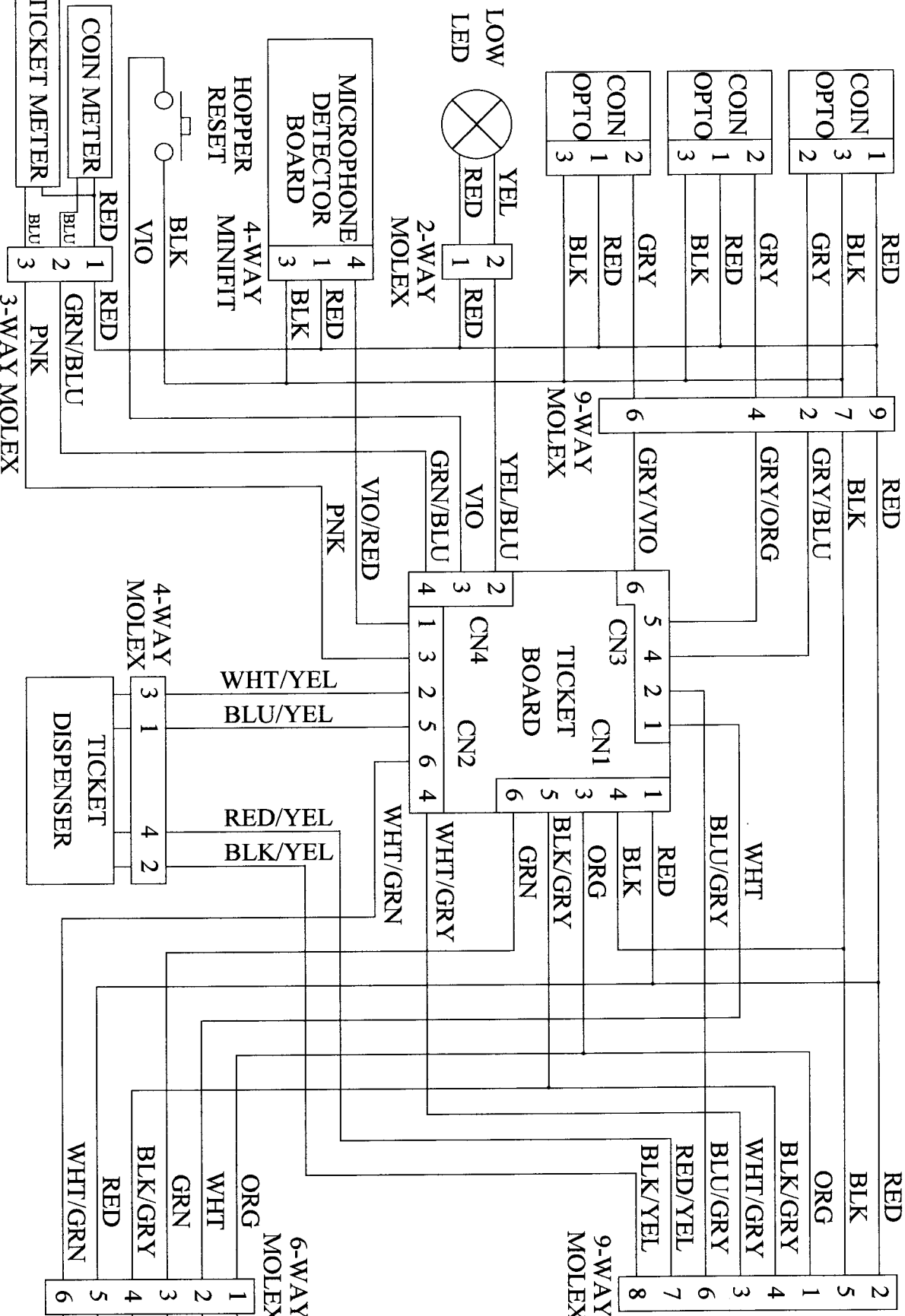
HARRY LEVY AMUSEMENT CONTRACTOR Ltd Broadstairs Kent.
Dimensions in MM. General Tol +/-1, metalwork & hole positions +/-0.5
turned parts +/-0.1, bending +/-1 (Plastic +/-2.5 degrees)

Drawing No. HL AT 13913 - D

FROM
DISTRIBUTION
WIRING

KEY

BLK	BLACK
BRN	BROWN
RED	RED
ORG	ORANGE
YEL	YELLOW
GRN	GREEN
BLU	BLUE
VIO	VIOLET
GRY	GREY
WHT	WHITE
PNK	PINK

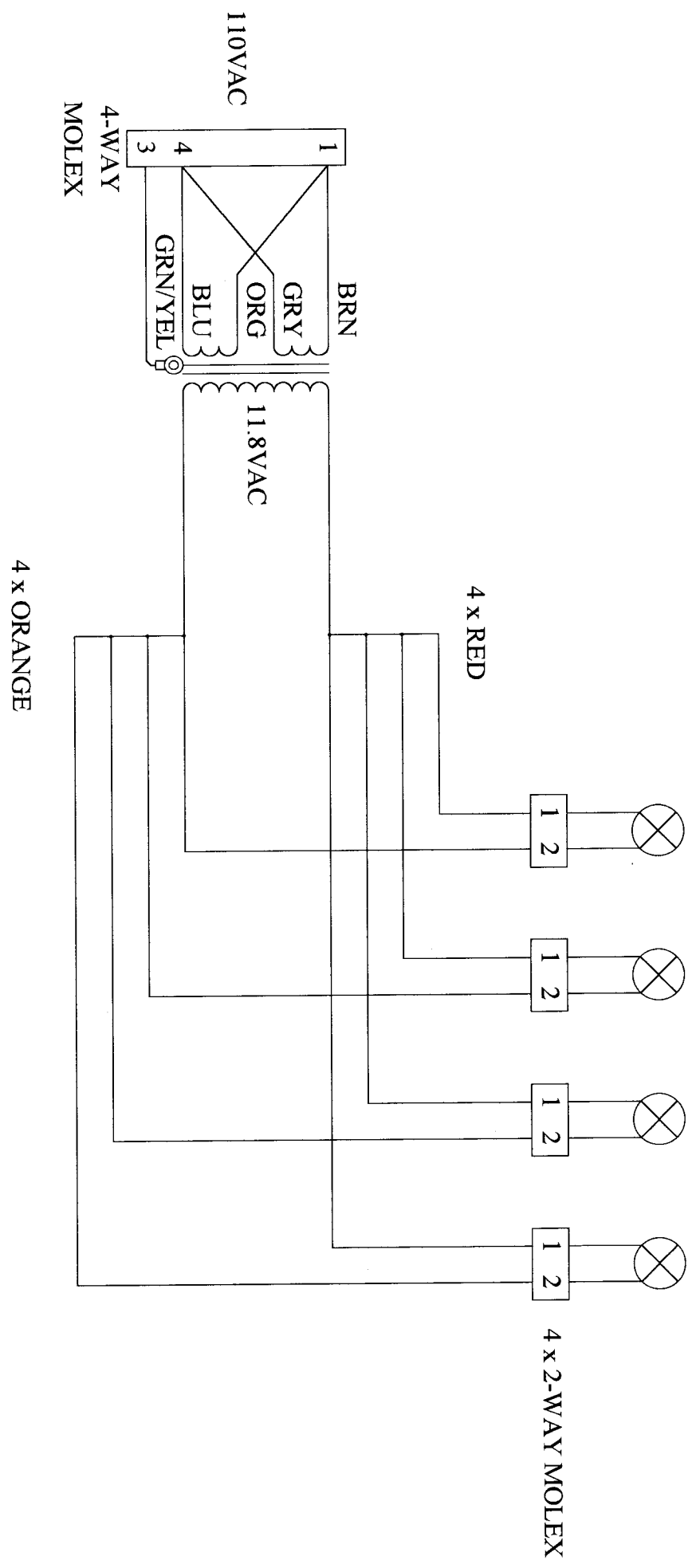


Issue	Description	Date	App'd	To: 1501	Title	Ticket Board Wiring 2, 3, 4, 6 Player USA	Drawn NGI	Checked	Date 17 04 01	Do NOT Scale
-------	-------------	------	-------	----------	-------	--	--------------	---------	------------------	-----------------

HARRY LEVY AMUSEMENT CONTRACTOR Ltd Broadstairs Kent.
Dimensions in MM. General Tol. +/-1, metalwork & hole positions +/-0.5
turned parts +/-0.1, bending +/-1 (Plastic +/-2.5 degrees)

Drawing No. HL AT 13915 - D

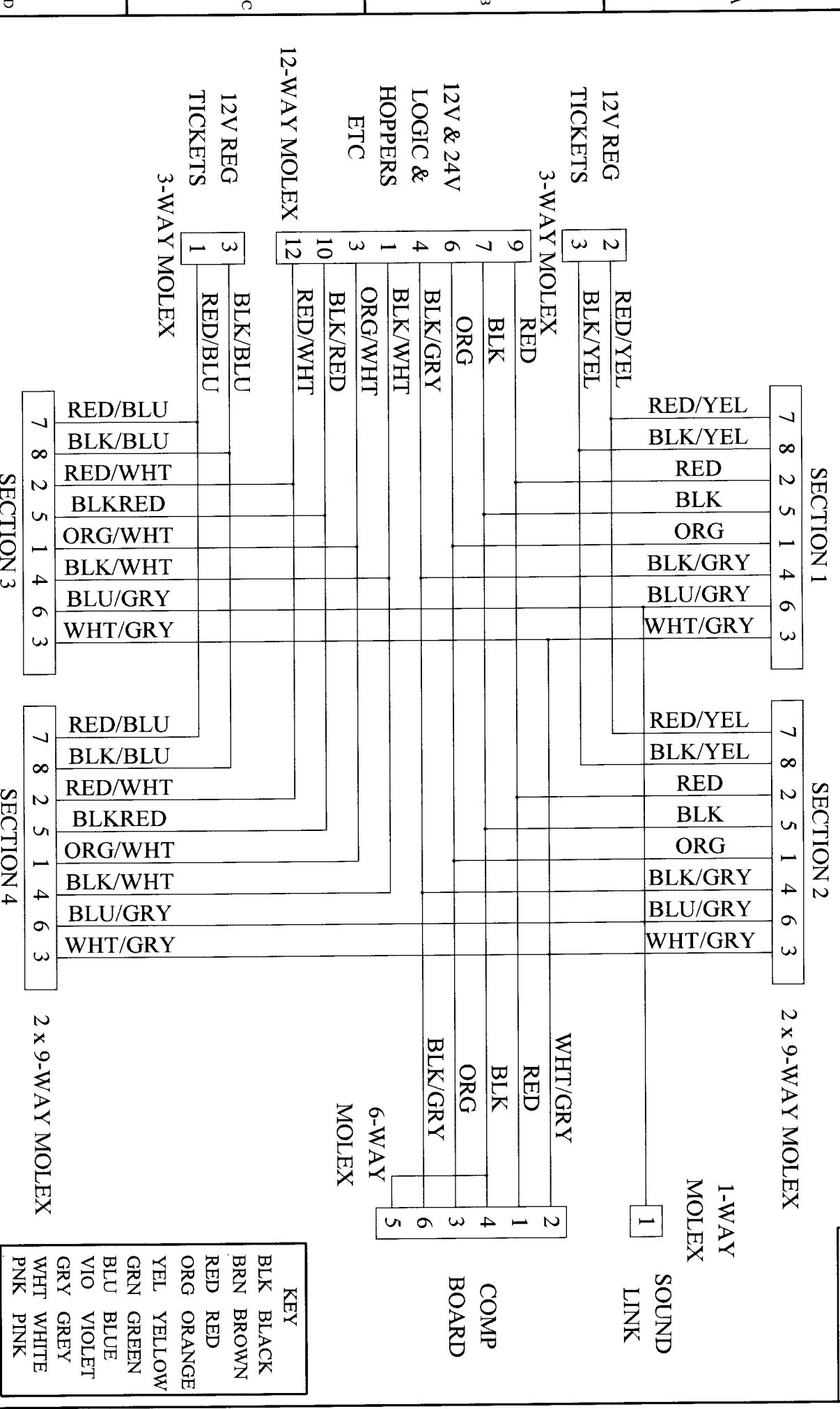
4 x DICHRIC LAMP
12V 50W



Issue	Description	Date	App'd	To: 1501	Title	Drawn	Checked	Date	Do NOT Scale
					Dichroic Lighting Wiring 2 Plyr USA	NGI		11 04 01	

HARRY LEVY AMUSEMENT CONTRACTOR Ltd Broadstairs Kent.
 Dimensions in MM. General Tol: +/-1, metalwork & hole positions +/-0.5
 turned parts +/-0.1, bending +/-1 (Plastic +/-2.5 degrees)

Drawing No. HL AT 13918 - D



KEY

BLK	BLACK
BRN	BROWN
RED	RED
ORG	ORANGE
YEL	YELLOW
GRN	GREEN
BLU	BLUE
VIO	VIOLET
GRY	GREY
WHT	WHITE
PNK	PINK

Issue	Description	Date	App'd	To: 1501	Title	Low Voltage Distribution Wiring	Drawn	Checked	Date	Do NOT
					HARRY LEVY AMUSEMENT CONTRACTOR Ltd Broadstairs Kent.	4-Player USA	NGI		18 04 01	Scale
					Dimensions in MM. General Tol +/-1, metalwork & hole positions +/-0.5 turned parts +/-0.1, bending +/-1 (Plastic +/-2.5 degrees)					
							Drawing No.			HL AT 13925 - D